



UK2996

MOSFET

600V SILICON N-CHANNEL POWER MOSFET

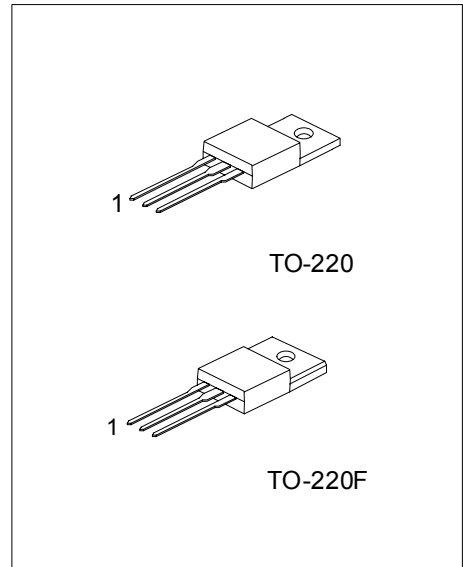
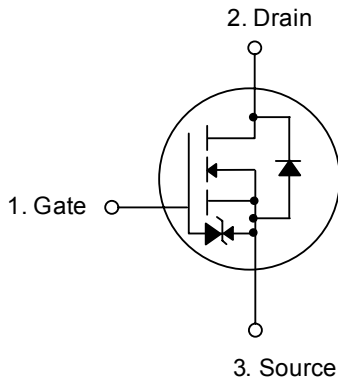
DESCRIPTION

The UK2996 is an N-channel enhancement mode field-effect power transistor. Intended for use in high voltage, high speed switching applications in power supplies, DC-DC converter, relay drive and PWM motor drive controls.

FEATURES

- * Fast switching times
- * Improved inductive ruggedness
- * High forward transfer admittance
- * Low on resistance
- * Low leakage current
- * Lower input capacitance

SYMBOL



*Pb-free plating product number: UK2996L

ORDERING INFORMATION

Order Number		Package	Pin Assignment			Packing
Normal	Lead Free Plating		1	2	3	
UK2996-TA3-T	UK2996L-TA3-T	TO-220	G	D	S	Tube
UK2996-TF3-T	UK2996L-TF3-T	TO-220F	G	D	S	Tube

Note: Pin Assignment: G: Gate D: Drain S: Source

<p>UK2996L-TA3-T</p>	<p>(1)Packing Type (2)Package Type (3)Lead Plating</p>	<p>(1) T: Tube (2) TA3: TO-220, TF3: TO-220F (3) L: Lead Free Plating Blank: Pb/Sn</p>
----------------------	--	--

■ ABSOLUTE MAXIMUM RATING

PARAMETER	SYMBOL	RATINGS	UNIT
Drain to Source Voltage	V_{DSS}	600	V
Continuous Drain Current	I_D	10	A
Pulsed Drain Current	I_{DM}	30	A
Drain to Gate Voltage ($R_{GS} = 20\text{ k}\Omega$)	V_{DGR}	600	V
Gate to Source Voltage	V_{GSS}	± 30	V
Avalanche Current	I_{AR}	10	A
Single Pulsed Avalanche energy (Note 2)	E_{AS}	252	mJ
Repetitive Avalanche Energy (Note 3)	E_{AR}	4.5	mJ
Total Power Dissipation ($T_c = 25^\circ\text{C}$)	P_D	45	W
Operating Temperature Range	T_J	-55 ~ +150	
Storage Temperature	T_{STG}	-55 ~ +150	

Note 1. Absolute maximum ratings are those values beyond which the device could be permanently damaged.

Absolute maximum ratings are stress ratings only and functional device operation is not implied.

2. $L = 4.41\text{ mH}$, $I_{AR} = 10\text{ A}$, $V_{DD} = 90\text{ V}$, $R_G = 25\ \Omega$, starting $T_J = 25^\circ\text{C}$.

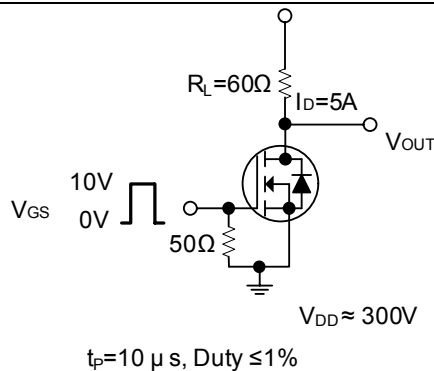
3. Pulse width and frequency is limited by T_J .

■ THERMAL DATA

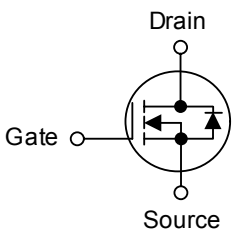
CHARACTERISTICS	SYMBOL	RATINGS	UNIT
Thermal Resistance, Channel to Ambient	θ_{JA}	62.5	/ W
Thermal Resistance, Channel to Case	θ_{JC}	2.78	/ W

■ ELECTRICAL CHARACTERISTICS ($T_a = 25^\circ\text{C}$)

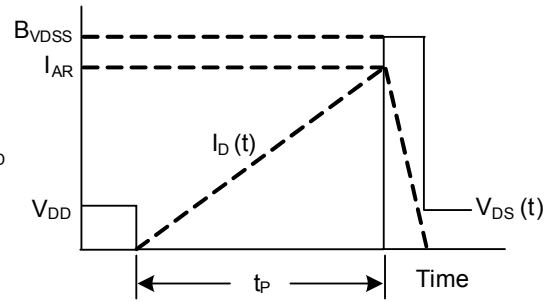
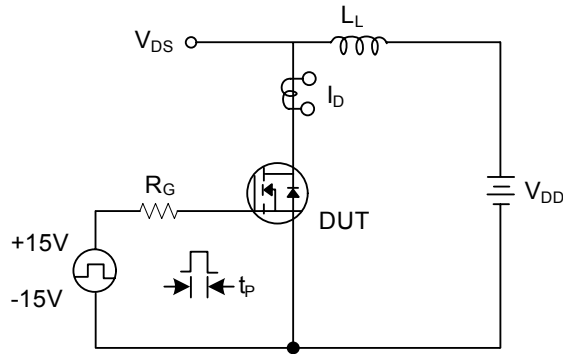
PARAMETER	SYMBOL	TEST CONDITIONS	MIN	TYP	MAX	UNIT
Gate-Source Breakdown Voltage	BV_{GSS}	$V_{DS} = 0\text{V}$, $I_G = \pm 10\ \mu\text{A}$	± 30			V
Drain-Source Breakdown Voltage	BV_{DSS}	$V_{GS} = 0\text{V}$, $I_D = 10\text{mA}$	600			V
Gate Threshold Voltage	$V_{GS(TH)}$	$V_{DS} = 10\text{V}$, $I_D = 1\text{mA}$	2.0		4.0	V
Gate Source Leakage Current	I_{GSS}	$V_{GS} = \pm 25\text{V}$, $V_{DS} = 0\text{V}$			± 10	μA
Drain Source Leakage Current	I_{DSS}	$V_{DS} = 600\text{V}$, $V_{GS} = 0\text{V}$			100	μA
Static Drain-Source ON Resistance	$R_{DS(ON)}$	$V_{GS} = 10\text{V}$, $I_D = 5\text{A}$		0.74	1.0	Ω
Forward Transconductance	g_{FS}	$V_{DS} = 10\text{V}$, $I_D = 5\text{A}$	3.4	6.8		S
Input Capacitance	C_{ISS}	$V_{DS} = 20\text{V}$, $V_{GS} = 0\text{V}$, $f = 1\text{MHz}$		1500		pF
Reverse Transfer Capacitance	C_{RSS}			13		
Output Capacitance	C_{OSS}			140		
Total Gate Charge	Q_G	$I_D = 10\text{A}$, $V_{DD} \approx 400\text{V}$, $V_{GS} = 10\text{V}$		38		nC
Gate-Source Charge	Q_{GS}			21		
Gate-Drain Charge	Q_{GD}			17		
Switching Time	Turn-on Delay Time		t_{ON}		55	
	Turn-on Rise Time	t_R		15		
	Turn-off Delay Time	t_{OFF}		145		
	Turn-off Fall Time	t_F		27		



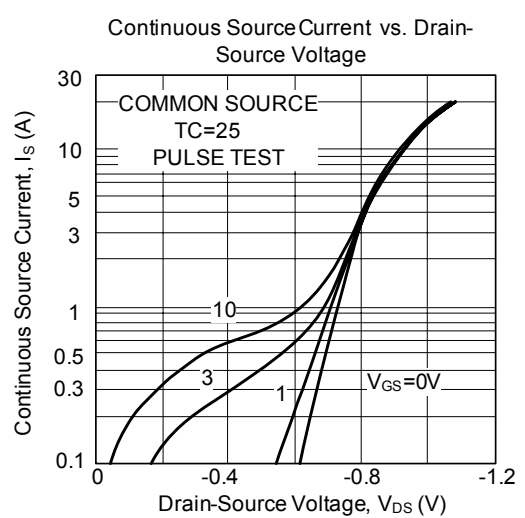
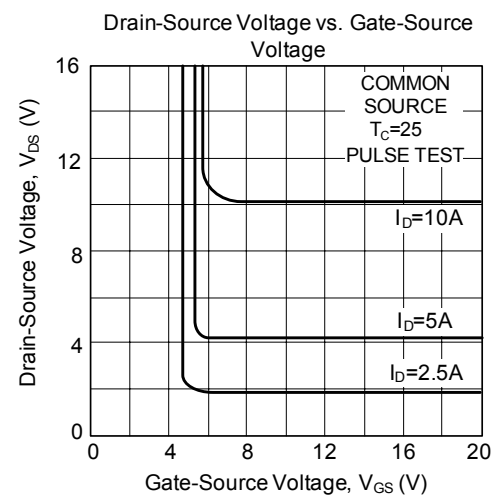
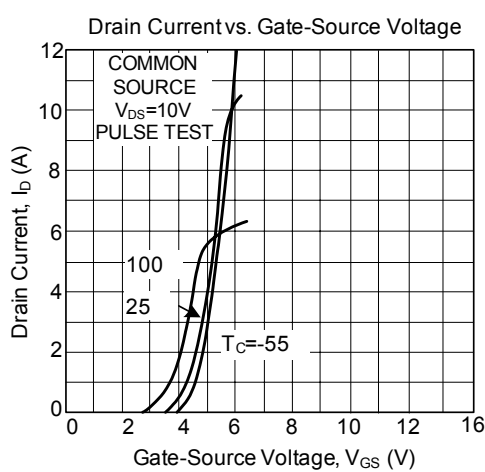
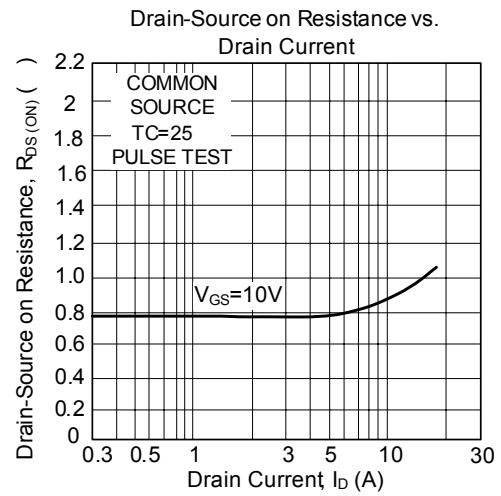
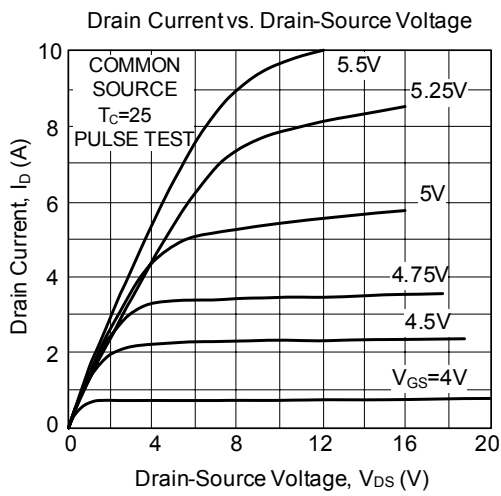
■ **SOURCE-DRAIN DIODE CHARACTERISTICS** (Ta = 25°C)

PARAMETER	SYMBOL	TEST CONDITIONS	MIN	TYP	MAX	UNIT
Diode Forward Voltage	V_{SD}	$V_{GS} = 0V, I_S = 10A$			-1.7	V
Continuous Source Current (body diode)	I_S	Integral Reverse p-n Junction Diode in the MOSFET 			10	A
Pulse Source Current (body diode)	I_{SM}				30	A
Reverse Recovery Time	t_{RR}	$V_{GS} = 0V, I_S = 10A,$ $dI_F/dt = 100 A/\mu s$		1600		ns
Reverse Recovery Charge	Q_{RR}			17		μC

■ TEST CIRCUIT AND WAVE FORM



■ TYPICAL CHARACTERISTICS



UTC assumes no responsibility for equipment failures that result from using products at values that exceed, even momentarily, rated values (such as maximum ratings, operating condition ranges, or other parameters) listed in products specifications of any and all UTC products described or contained herein. UTC products are not designed for use in life support appliances, devices or systems where malfunction of these products can be reasonably expected to result in personal injury. Reproduction in whole or in part is prohibited without the prior written consent of the copyright owner. The information presented in this document does not form part of any quotation or contract, is believed to be accurate and reliable and may be changed without notice.